

- |               |   |                |   |                 |                 |            |       |          |                  |           |
|---------------|---|----------------|---|-----------------|-----------------|------------|-------|----------|------------------|-----------|
| CONT A-13-GND | 1 | CONT B-56-HULL | 1 | Q1, 4, 7, 9-12, | IC 1            | SN74LS73AN | IC 11 | SN74S74N | D1, 6, 8, 14, 15 | 1S5133    |
| CONT A-13-CL1 | 2 | CONT B-56-VUL  | 2 | 14-16, 20-22    | IC 2, 14        | MN6147C    | IC 13 | BA718    | D2, 3            | ITT310TE  |
| CONT A-13-DA3 | 3 | VC-20-3-VUL    | 1 | Q2, 3, 17-19    | IC 3, 15        | M54459L    | IC 18 | AN78N05  | D4, 9, 10        | 1SV153    |
| CONT A-13-DA2 | 4 | VC-20-3-SCK    | 2 | Q8, 13          | IC 4, 16        | 25C1907    | IC 19 | UA78M09  | D7               | MT25.1-JA |
| CONT A-13-DA1 | 5 | VC-20-3-SO     | 3 | Q23             | IC 5, 7, 10, 17 | DTA124ES   |       |          | D11-13           | 1S1587    |
| CONT A-13-DA0 | 6 | VC-20-3-LE2    | 4 | Q24             | IC 8, 12        | DTC124ES   |       |          | D16-19           | BA282     |
| CONT A-13-DA2 | 7 | CONT A-4-SCK   | 1 | Q25             | IC 9            | DTC144WS   |       |          |                  |           |
| CONT A-13-CL2 | 8 | CONT A-4-SO    | 2 |                 |                 |            |       |          |                  |           |
| RF-7-VCH      | 3 | CONT A-4-LE2   | 3 |                 |                 |            |       |          |                  |           |
| RF-7-VCH      | 2 | CONT A-4-LE1   | 4 |                 |                 |            |       |          |                  |           |
| RF-7-FCB      | 1 | CONT A-4-UL    | 5 |                 |                 |            |       |          |                  |           |

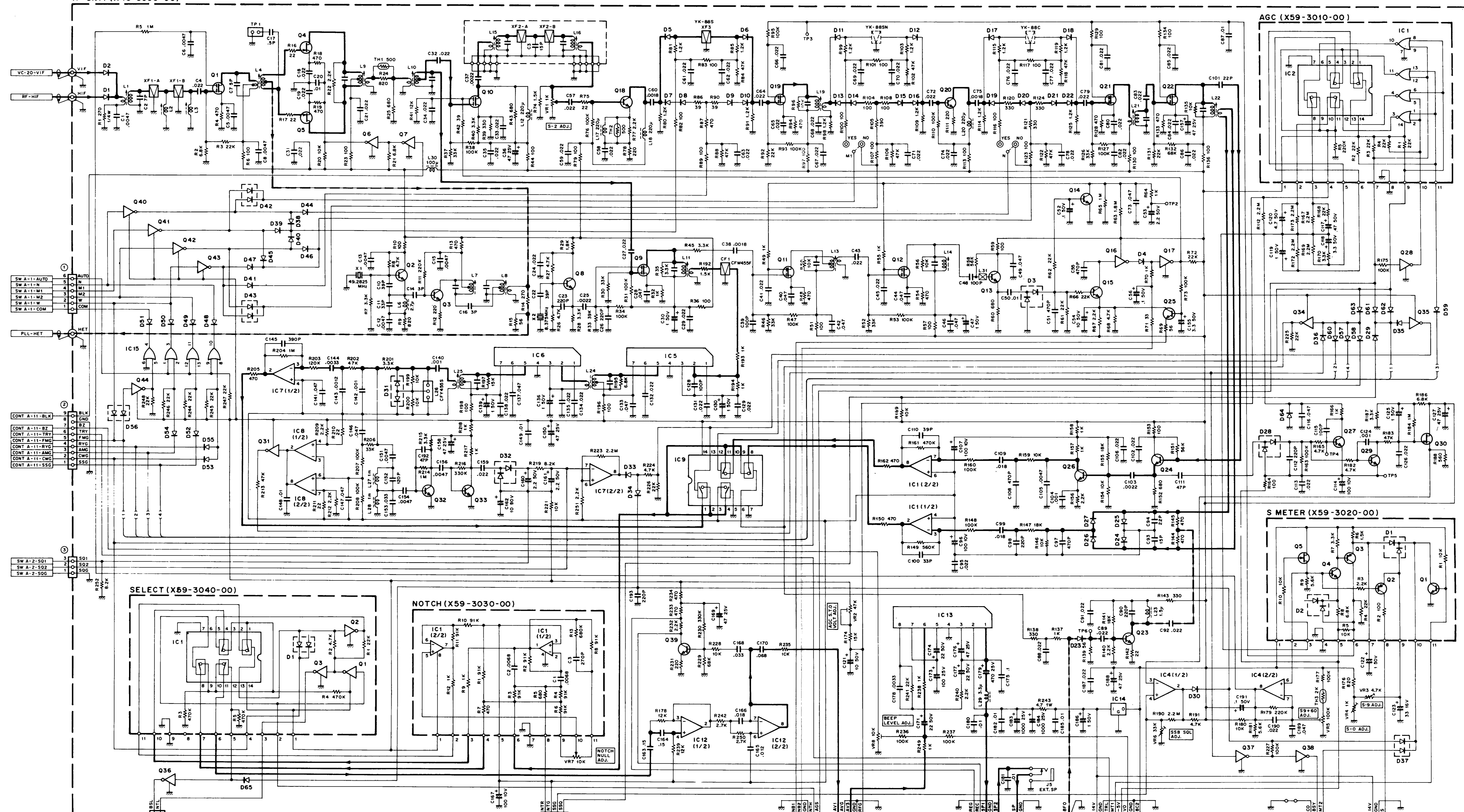
IF UNIT (X48-3000-00)

AGC (X59-3010-00)

S METER (X59-3020-00)

SELECT (X59-3040-00)

NOTCH (X59-3030-00)



- Q 1, 9-12, 19, 21, 22 : 3SK73(Y)
- Q 2, 3, 8 : 2SC266B(Y)
- Q 4, 5 : 2SK125
- Q 6 : DTC114ES
- Q 7, 36-38 : DTC144WS
- Q 13, 18, 20, 23, 24 : 2SC2787(L)
- Q 14, 15, 26, 27, 29, 39 : 2SC2458(Y)
- Q 16, 34 : DTA124ES
- Q 17 : DTC124ES
- Q 25 : 2SC3113(B)
- Q 28 : DTC144ES

- Q30 : 2SK161(GR)
- Q31, 35, 44 : DTA144ES
- Q40-43 : DTA114ES
- Q32, 33 : 2SC2459(BL)
- D1, 2 : BA282
- D3, 28, 32 : MC931
- D4, 29, 33-36, 38-41, 44-48, 50-55, 57-60, 62, 63, 65 : 1S5133
- D5-23, 30, 49, 61 : 1S1587

- D24-27 : 1N60
- D31 : MC911
- D37, 42, 43, 56 : MC921
- D64 : 1S5141VE

- IC 1, 7, 12 : NJM4558S
- IC 4, 8 : NJM2903S
- IC 5, 6 : JPC577H
- IC 9 : TC4066BP
- IC 13 : MB3713
- IC 14 : AN78N09
- IC 15 : TC4071BP

- (X59-3010-00)
- IC 1 : TC4001BF
- IC 2 : TC4066BP

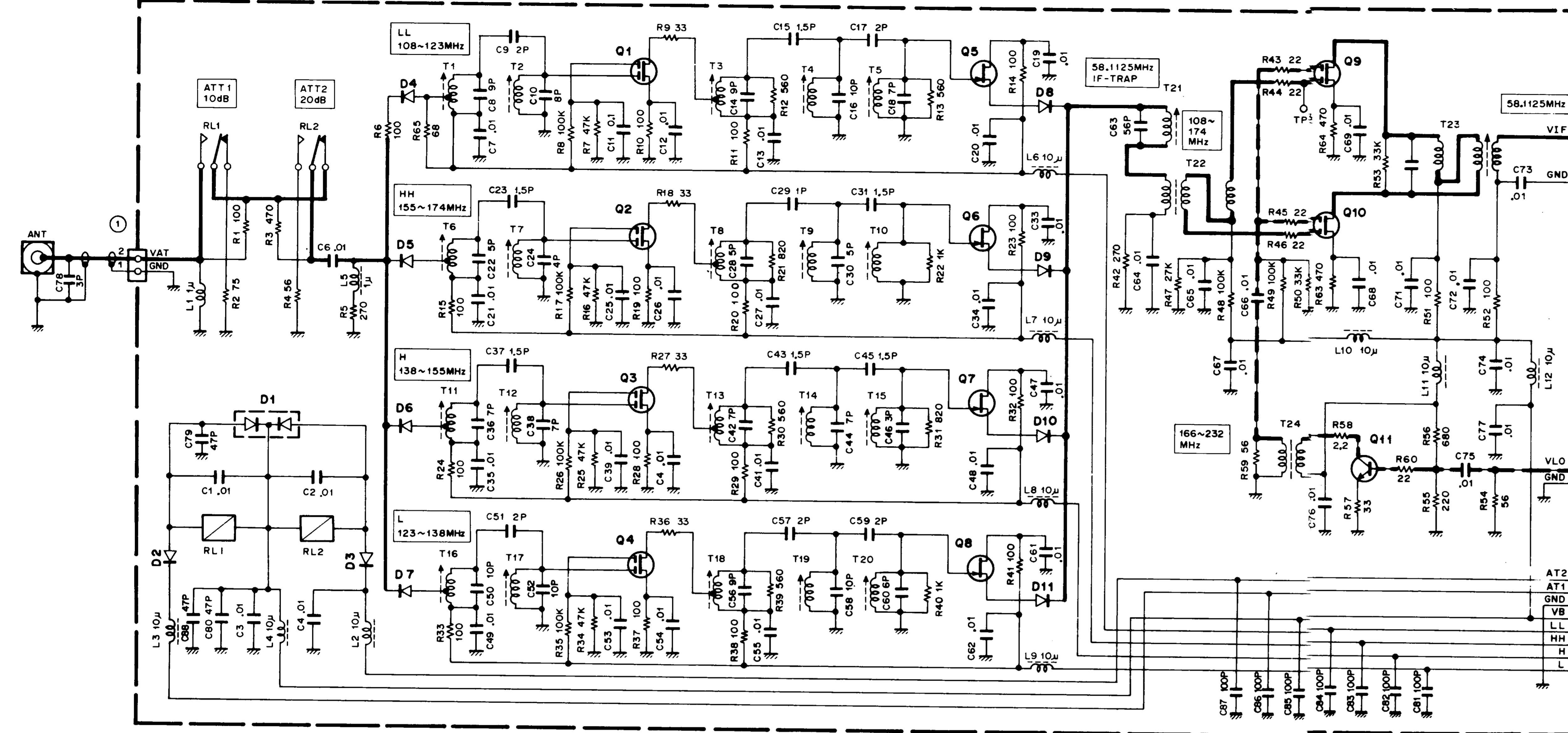
- (X59-3020-00)
- Q1, 4 : 2SC2712(Y)
- Q2, 3 : 2SA1162(Y)
- Q5 : 2SK21(GR)
- D1, 2 : DAN202K

- (X59-3030-00)
- IC 1 : NJM4558M

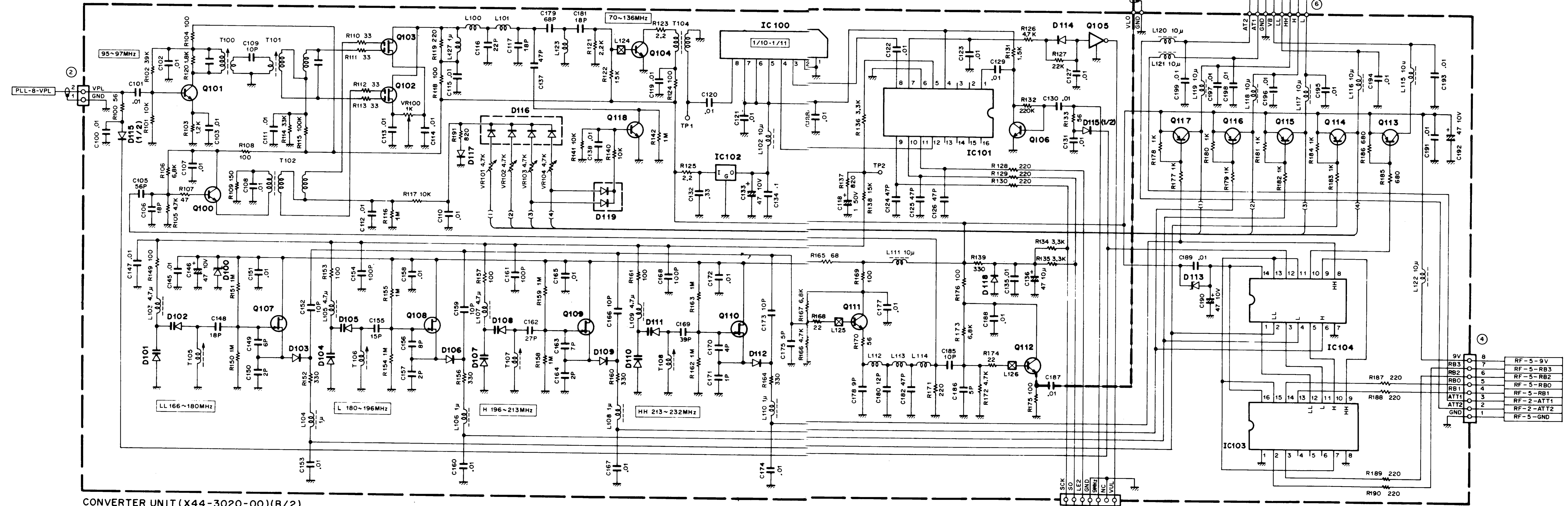
- (X59-3040-00)
- Q1 : DTA124EK
- Q2, 3 : 2SA1164WK
- IC 1 : TC4066BP
- D1 : DAN202K

# CONVERTER UNIT

CONVERTER UNIT (X44-3020-00)(A/2)



- D1 ~ 3, 114, 115, 119 : DAN202K
- D4 ~ 7 : 1S2588
- D8 ~ 11, 103, 106, 109, 112 : MA858
- D100 : MTZ7.5JA
- D101, 102, 104, 105, 107, 108, 110, 111 : 1SV153
- D113 : MTZ3.3JA
- D116 : DAN401
- D117 : 1S5133
- D118 : MTZ5.1JA
- Q1 ~ 4 : 3SK184(R)
- Q5 ~ 8 : 2SK125-5
- Q9, 10, 102, 103 : 3SK74(L)
- Q11, 100, 104, 111, 112 : 2SC2570A
- Q101, 106, 118 : 2SC2714 (Y)
- Q105 : DTC124EK
- Q107 ~ 110 : 2SK192A(GR) \* P
- Q113 ~ 117 : 2SB698(E, F)
- IC100 : HD10551
- IC101 : MC145158P
- IC102 : TA78L005AP
- IC103 : SN74LS139N
- IC104 : SN74LS07N



CONVERTER UNIT (X44-3020-00)(B/2)

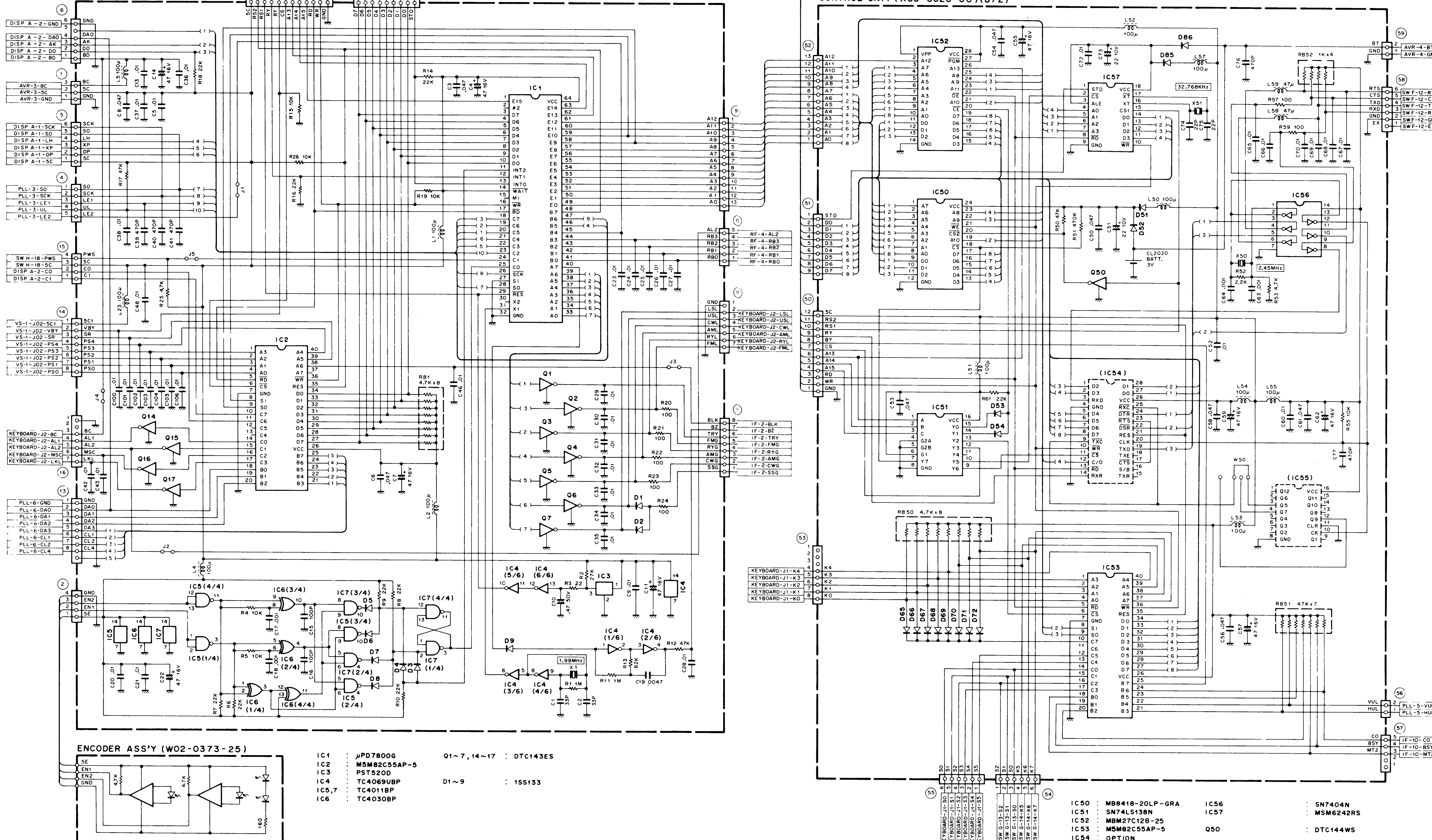
- 1 : 3SK
- 2 : SO
- 3 : LEP
- 4 : GND
- 5 : 5MHZ
- 6 : INC
- 7 : VUL

- RF-5-9V
- RF-5-RB3
- RF-5-RB2
- RF-5-RB0
- RF-5-RB1
- RF-2-ATT1
- RF-2-ATT2
- RF-5-GND

# CONTROL UNIT

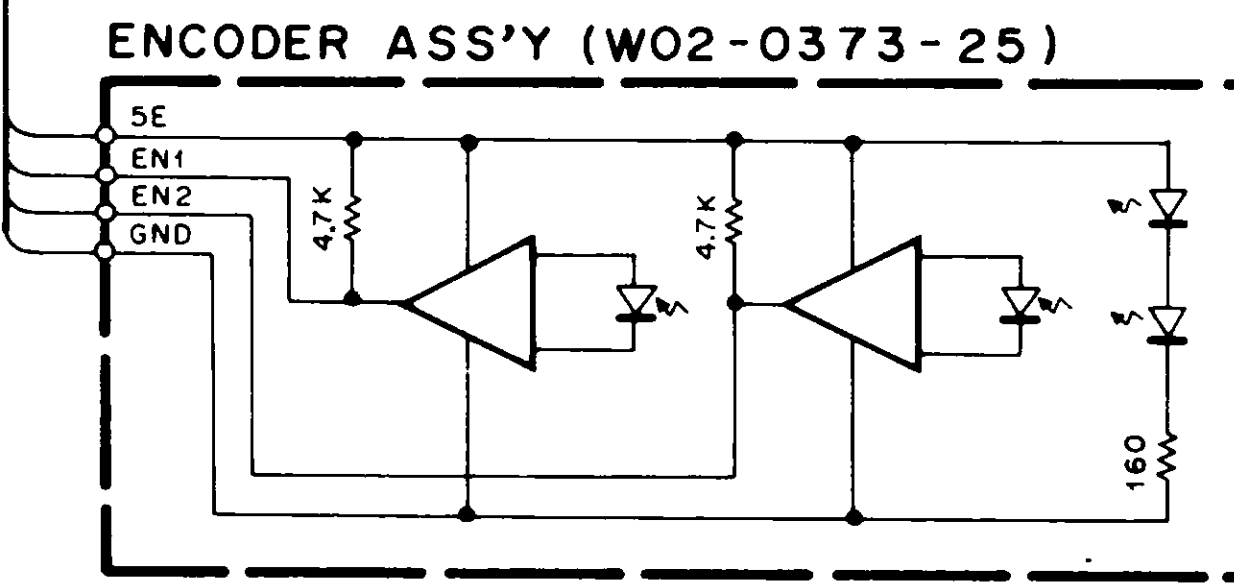
CONTROL UNIT (X53-3020-00) (A/2)

CONTROL UNIT (X53-3020-00) (B/2)

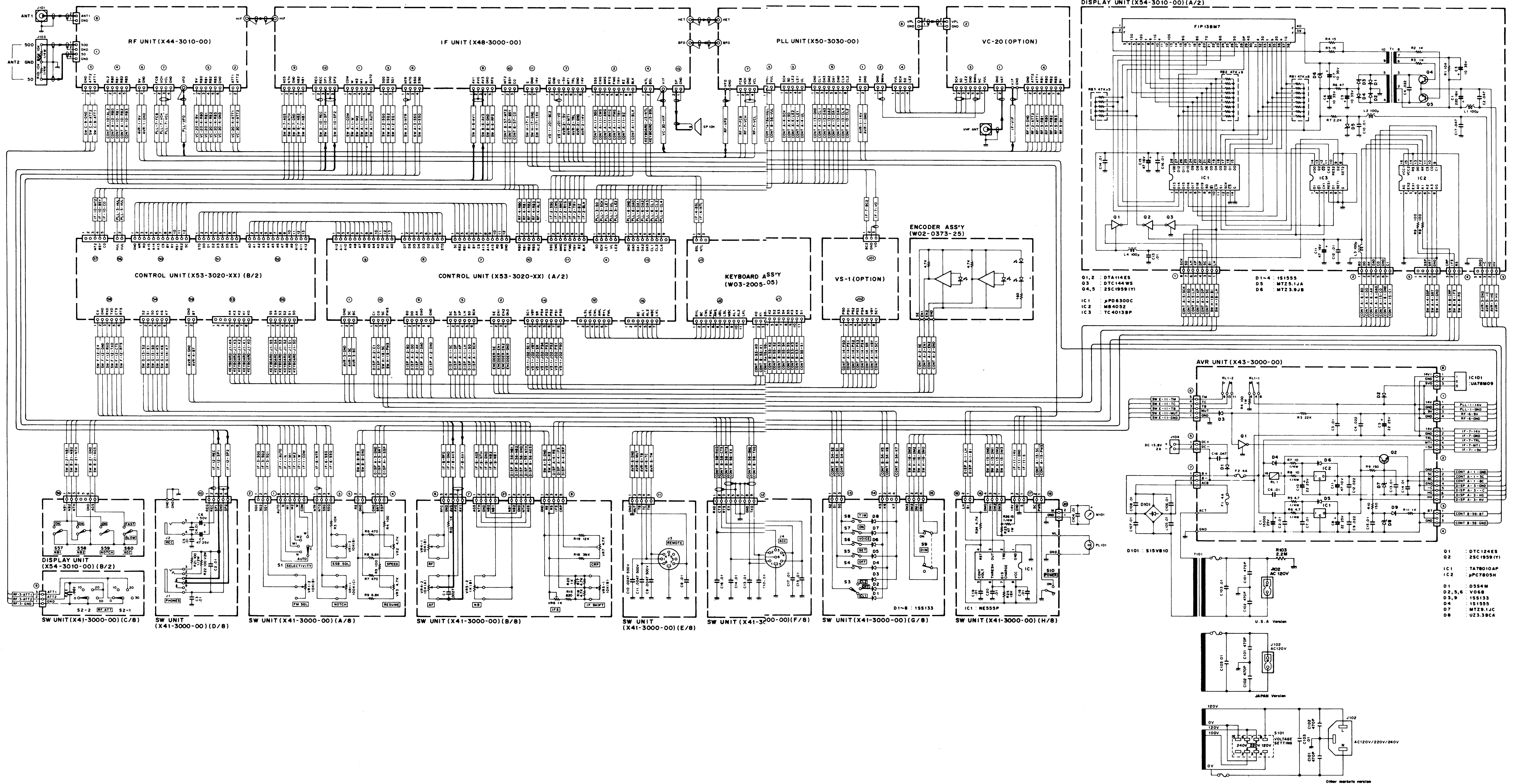


- IC1 : µPD7800G
  - IC2 : M5M82C55AP-5
  - IC3 : PST520D
  - IC4 : TC4069UBP
  - IC5,7 : TC4011BP
  - IC6 : TC4030BP
- Q1~7, 14~17 : DTC143ES
  - D1~9 : 1SS133

- IC50 : MB8418-20LP-GR
  - IC51 : SN74LS138N
  - IC52 : MBM27C128-25
  - IC53 : M5M82C55AP-5
  - IC54 : OPTION
  - IC55 : OPTION
- Q50 : DTC144WS
  - D51~54, 65~72, 85, 86 : 1SS133



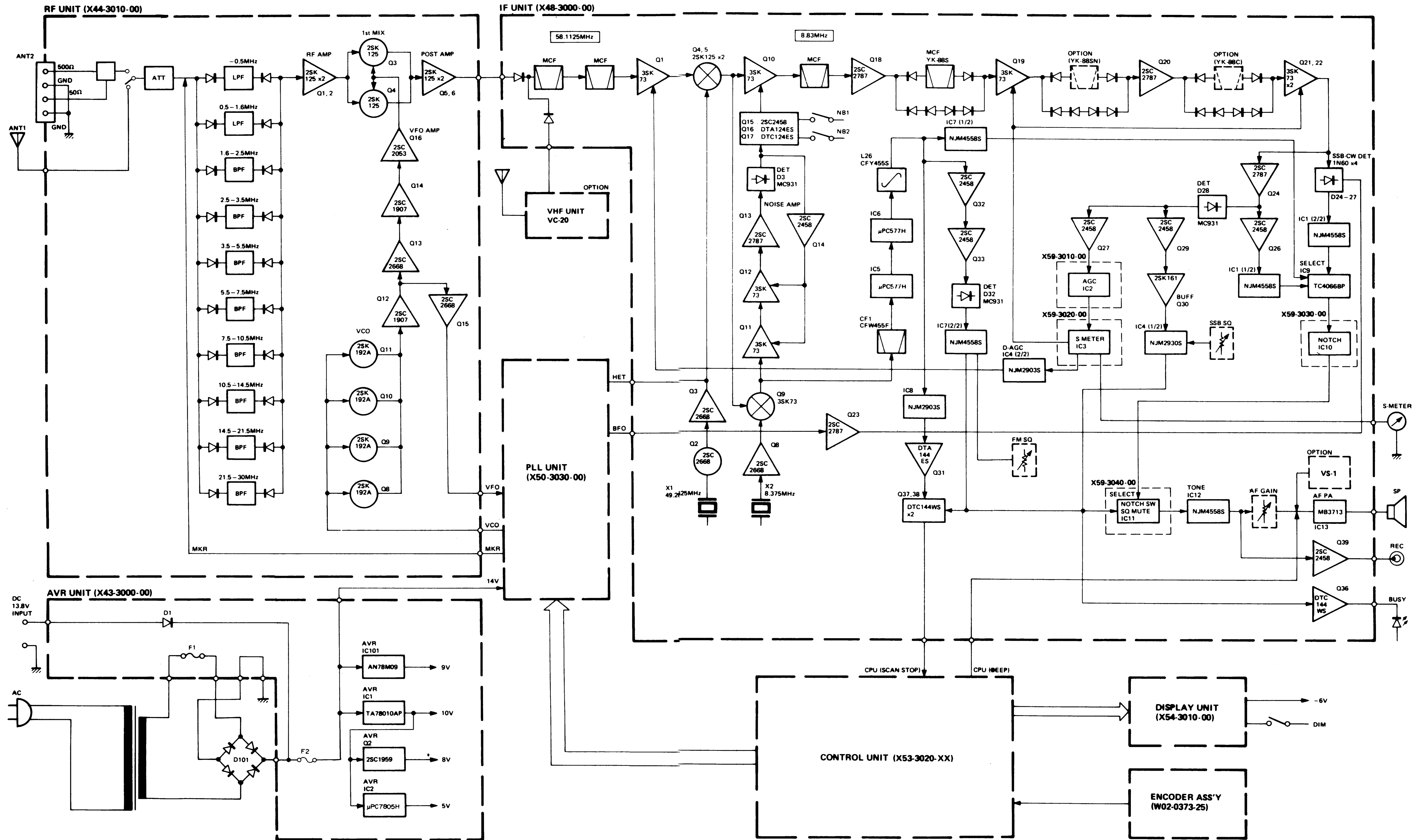
## 8-2. CIRCUIT DIAGRAM



**Note:**  
Circuits are subject to change without notice due to advancements in technology.

# 8. BLOCK DIAGRAM AND CIRCUIT DIAGRAM

## 8-1. BLOCK DIAGRAM



**Note:**  
Block diagram is subject to change without notice due to advancements in technology.